

SERVICE INSTRUCTION

# DDC - Hose Unit

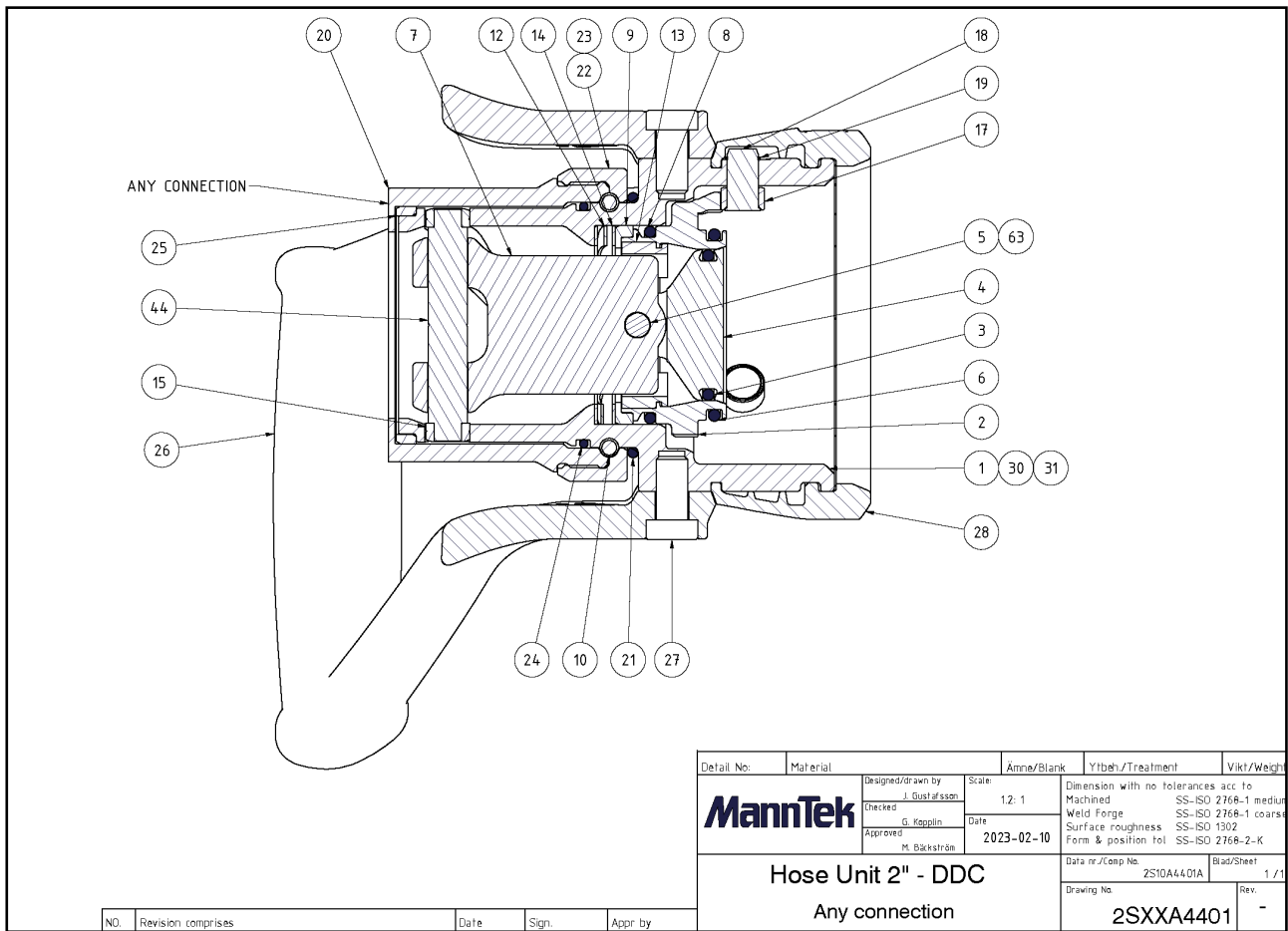
2" - Design 2.0



VERSION: 230525

# MannTek

# DDC – HOSE UNIT – 2” – DESIGN 2.0



**MATERIAL:** Aluminium, Brass, Stainless Steel

**TYPE OF CONNECTION:** Threaded and Flanged couplings have the same service instruction.

**PERFORM A SERVICE:** If leaking or change of media.  
According to application service plan,  
(see regular service p.4)

## PLEASE NOTE

Make sure that you are using the correct material of O-rings and seals for the media you are using. We use a standard silicone based grease which is suitable for most applications, if you are unsure of suitability for your media please contact us.



© Copyright Mann Teknik AB. Mann Teknik AB reserves the right to make changes at any time in prices, materials, specifications and models and to discontinue models without notice or obligations.

## ITEMS NEEDED FOR SERVICE

**PARTS NEEDED FOR SERVICE:** Spare part kit and Sealing kit (for order numbers see the info box at the bottom of this page)

**USEFUL TOOLS:** Tool 001 (O-Ring Tools)\*  
Tool 221-4 (Tool for service of inner package)\*  
2,5 mm Allen Key  
5 mm Allen Key  
Ø6 mm Pin  
Pliers

\*Can be ordered from MannTek

**SPARE PART KIT INCLUDES:** 1 pc. Bushing ring  
2 pcs. Piston guide bushing  
3 pcs. Rollers  
3 pcs. Shafts for rollers  
3 pcs. Locking rings  
1 pc. Screw  
1 pc. Teflon ring  
1 pc. Split pin  
1 pc. VM454 (Assy. tool lock ring)

**OTHERS:** Tool 081 - Flouroflon® grease. (Chemical neutral silicon oil with PTFE. Used for O-rings)\*  
Tool 086 - CargoFluor® grease (Fluor oil based grease oil with PTFE used for rollaxels.)\*  
Loctite® (only needed if handles are removed)

\*Can be ordered from MannTek

**CLEANING AGENTS:** Strong clean® (Petroleum based degreasing agent)  
Alcohol (95 % chemical clean ethanol)

## PLEASE NOTE

**Use only original MannTek spare parts for maintenance**

Spare part kit (S-2S-XX)

Sealing kit (O-2S-YY)

yy means the O-ring material key, xx means the coupling material according to the product catalogue. You will find it also as the 6th to 9th sign in the serial number (e.g. 2S10Axyyy).



© Copyright Mann Teknik AB. Mann Teknik AB reserves the right to make changes at any time in prices, materials, specifications and models and to discontinue models without notice or obligations.

## MAINTENANCE AND SERVICE



Always de-pressurise the system and rinse off the parts before beginning any maintenance work. Use protective goggles. Do not handle O-ring seals without gloves if the material appears charred, gummy or sticky.



Use tweezers and wear neoprene or PVC gloves. Do not touch adjacent parts with unprotected hands. Rinse off the parts once again before starting the "daily inspection".

## DAILY INSPECTION

1. Visually inspect the coupling for cleanliness, wear, loose parts, damage and signs of corrosion.
2. Visually inspect the front face of the coupling for wear, dirt and damage.
3. Visually inspect the coupling for leaks.
4. Inspect the hose unit rollers for easy rotation and no signs of seizure. Clean and lubricate if needed.

## REGULAR SERVICE

The regular service interval is very much depending on local regulations and application conditions. If nothing else is specified or agreed and it is a new application with unknown parameters we recommend to make a first service after one year and then decide depending on the inspection result about further intervals.

The service procedure shall be as follows:

1. Replace the hose unit O-rings.
2. Replace worn or damaged components.

Check the state of the connection surface and verify that it is clean before proceeding with the connection. Minor scratches on the sealing surfaces can sometimes be polished out.

Couple the serviced hose unit to a usable tank unit as appropriate and check for the correct operation of the valve actuating and bayonet locking mechanism. Couple and uncouple the unit(s) several times.

## DISASSEMBLE

- Mark the position of the swivel sleeve against the swivel ring, e.g. by a marking pen, in order to know the correct position for the locking screw.
- Unscrew and remove the lock screw from the swivel ring.

*Use an Allen Key 2,5mm*



- Rotate the swivel sleeve so that a  $\varnothing 6$  mm pin can be inserted in the slot between the housing and the swivel ring.

- Unscrew the swivel sleeve from the swivel ring.

*Use a  $\varnothing 6$ mm pin*



- Remove the Bushing Ring (pos. 25). Sometimes it can be found inside the swivel sleeve.

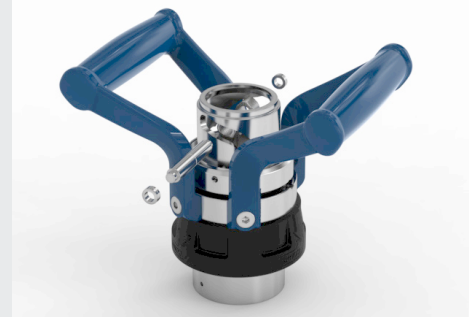


- Fixate the tool 221 from rotation in a vice.
- Put the hose unit on tool 221 and turn it until the rollers are about halfway down the cam curve.

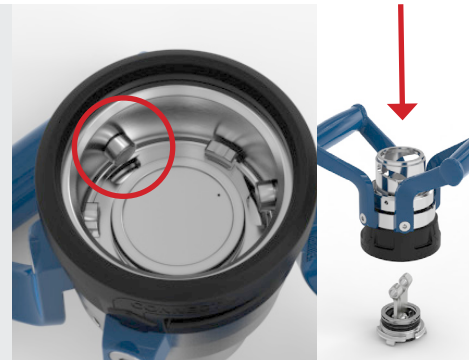
*Use tool 221*



- Remove the two rollers (pos. 15) and the rolling shaft (pos. 44) from the piston guide (pos. 7).



- Rotate the inner package so the three slots in the driving plate match the rollers.
- Remove the inner package by pressing the piston guide from behind. If the driving plate does not loosen easily use a soft tool, e.g. made by rubber, and carefully press the driving plate out.



- If you prefer easier access to the O-Rings, remove one or both the handles before you change the O-rings, Not required.

*Use an Allen Key 5mm*



## CHANGE THE SWIVEL SLEEVE SEALS

Make sure you don't scratch any sealing surfaces.

*Use the O-ring hook (Tool 001)*

- Remove the dust protection O-ring (pos. 21) by using an O-ring hook. The easiest way to get the dust protection O-ring out is to put the hook through the O-ring and pull it out.
- Replace with a new O-ring.

Make sure that the balls are in the correct position before the new O-ring is mounted.



- Remove the swivel O-ring (pos. 24) by using an O-ring hook.
- Replace with a new O-ring. Use Flouroflon® grease on the new O-ring.

Make sure that the O-ring is not twisted.



## CHANGE THE INTERNAL SEALS

Make sure you don't scratch any sealing surfaces and that the new O-ring doesn't get twisted.

*Use the O-ring tool (Tool 001)*

- Remove the O-ring (pos. 8) on the driving plate backside by using an O-ring hook.
- Replace with a new O-ring. Use Flouroflon® grease on the new O-ring and washers.



- Remove the O-ring (pos. 6) on the driving plate front side by using an O-ring hook.
- Replace with a new O-ring. Use Flouroflon® grease on the new O-ring.



- Remove the O-ring (pos. 3) on the piston by using an O-ring hook.
- Replace with a new O-ring. Use Flouroflon® grease on the new O-ring.
- Press down the O-Ring with your thumb crosswise so it is stretched equally around the piston. Make sure that the O-Ring is fully pressed into the groove.



## CHANGE THE INTERNAL BUSHINGS

- If the bushings (pos. 9 and pos. 13) look worn, they need to be changed.
- Make sure to note the order in which the washers were mounted, so they can be mounted back in the same order.
- Remove the split pin (pos. 63) so you can remove the piston from the piston guide.



- Remove the piston guide bushings (pos. 13). This can be done by twisting them out of their groove.
- Replace with new piston guide bushings the same way you removed the old ones. Note that the groove in the new bushings matches the bottom flange in the driving plate.



- Change the Bushing ring (pos. 9) on the driving plate to a new one.



- Reassemble the inner package with the washers and wave washers in the same order as when you disassembled it.
- Secure everything together with a new split pin.



## CHANGE THE ROLLERS

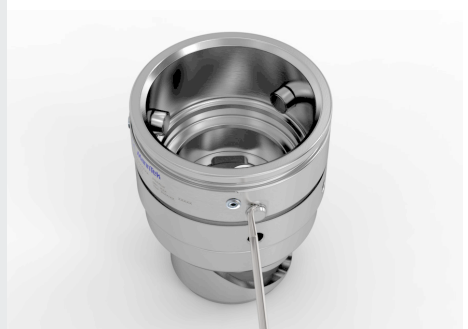
- Remove the bumper (pos. 28), by pulling it off of the coupling, gripping at the ID plate window.



- Remove the locking rings (pos. 19). Block the ring from rotating by pressing the shaft from the outside.
- Use the pointy O-ring needle to remove the locking ring.

The locking rings should not be reused

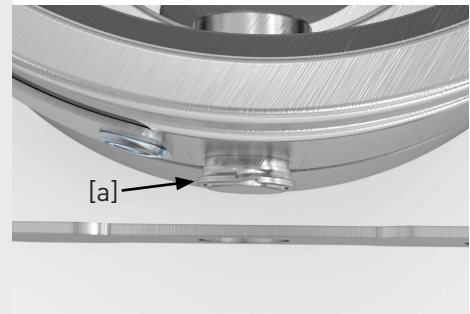
*Use the pointy O-ring tool (Tool 001)*





- Change the rollers, shafts, and locking rings to new ones. Make sure to not reuse any of the old locking rings.
- Use Cargoflour® grease on the new rollers.
- Place new rollers on the shafts with the flat side of the roller facing the head of the shaft. Put the shaft in the hole on the body with the roller on the inside of the body.
- By hand, enter a new locking ring to the end of the shaft. See [a]
- Press the locking ring into place using the assembly tool that is included in the service kit. Press the tool until the ring snaps fully into the shafts groove.

*Use the Assy. tool lock ring (VM454)*



- Make sure the rollers rotate easily and that the locking rings are mounted correctly into the groove on the shafts. Test this by pressing the shaft firmly from the outside.



- Reassemble the bumper to the coupling.
- Make sure that the cut-out for the ID plate is over the ID plate and make sure that the bumper snaps into place securely.



## REASSEMBLE

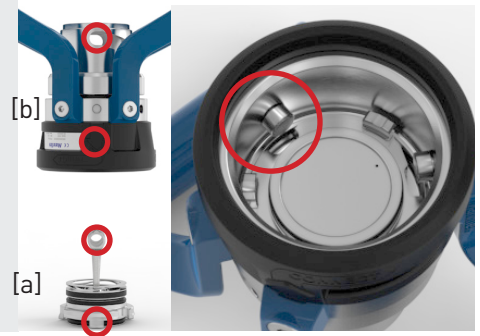
- If you disassembled the handles, it is now time to reassemble those.
- Use Loctite® to secure the screws. Do not over tighten the screws.

*Use an Allen Key 5mm*



- One of the heels on the driving plate is aligned with the hole on the piston guide. [a]
- One of the arrows on the bumper is aligned with the upper end position of the cam curve. [b]
- Place the coupling body and inner package according to the picture with all 4 points aligned.
- Place the coupling body over the inner package and grab the piston. Turn the coupling upside down and rotate it until the rollers are above the cut-outs in the driving plate. Place the hose unit on tool 221.

*Use Tool 221*



- Mount the rolling shaft (pos. 44) and two new rollers (pos. 15) with the flat side facing inwards into the piston guide. Use Cargoflour® grease both on the inside (towards the shaft) and outside (towards the swivel sleeve).
- Turn the Hose unit until the rollers are in the end position of the cam curve and remove it from tool 221.

*Use Tool 221*



- Place a new Bushing ring (pos. 25) with the chamfered edge facing upwards on the coupling.
- Double check that the old ring isn't still stuck in the swivel sleeve.



- Put the  $\varnothing 6$  mm pin back in the slot to lock the swivel ring.
- Place the swivel sleeve over the coupling body and screw in the swivel sleeve until it is aligned with the pen marking made in the beginning. When the sleeve is in correct position, screw the locking screw into the swivel ring.

**NOTE** tighten the locking screw with light torque and test the swivel function. Too much torque might deform the swivel ring which causes that the swivel function won't work properly.



- If needed replace the Flat seal\* (pos. 29, only applicable for BSP connections)

\* please note that the flat seal is not included in any kit and needs to be ordered separately.



## TEST THE COUPLING

- Perform a visual inspection ensuring that everything is in its place. Also do a test connection/disconnection with a tank unit that doesn't have any fluid inside.
- Finally, perform a pressure and/or leak test according to the test procedure described on the next page.
- If the coupling functions correctly you are ready to mount the hose unit in your application again.



## TEST PROCEDURE

After each major service a pressure test and a leak test of each coupling is required.

If only the O-Ring kit is replaced a leak test is enough.

If any pressure bearing parts are changed, a pressure test with water must first be made at 1,5 times the working pressure before testing the coupling with air for the leak test.

The following test parameters are in accordance with EN12266 and EN14432:

TEST PROCEDURE	TEST PRESSURE	ACCEPTANCE CRITERIA
Leak test (air)	0,3 bar	No visually detectable leakage for the duration of the test*
	6 bar	
Pressure test (water) (if applicable)	1,5x working pressure	

TABLE 1 – TEST PRESSURE

NOMINAL SIZE	MINIMUM TEST DURATION
Up to DN 50	15 s
DN 65 to DN 150	60 s

TABLE 2 – MINIMUM TEST DURATION

### TEST PROCEDURE:

- Plug the hose unit with the appropriate end connection and fill it with the test media (e.g. air or water).
- Apply the test pressure specified in Table 1 (please note that for a seal leak test, both a low pressure and a high pressure test are required).
- Maintain the test pressure for the keeping time specified in table 2.
- Make sure that there is no visually detectable leakage.
- Couple the serviced hose unit to a usable tank unit and test for leakage.
- After successful test results dry the coupling before use.

\* In order to detect leakage when testing with air, make sure to fully submerge the sealing surface in water. Initial leakage might be due to air trapped behind the seal and is acceptable. Reoccurring bubbles indicate a leak.

## STORAGE

Store coupling in a dry, dust free, dark place, in ambient temperature.