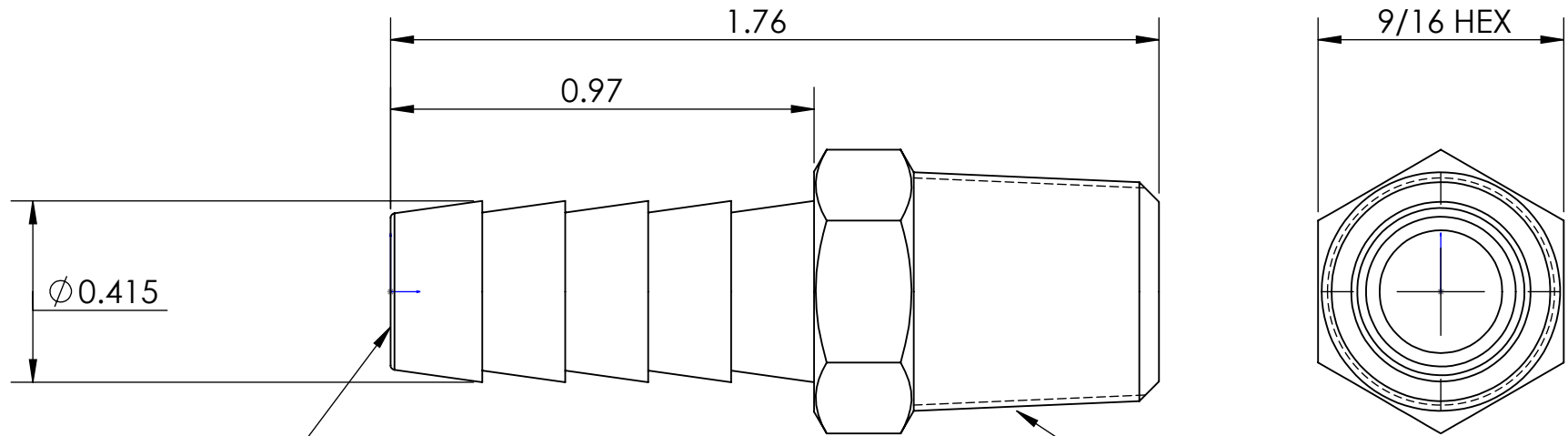
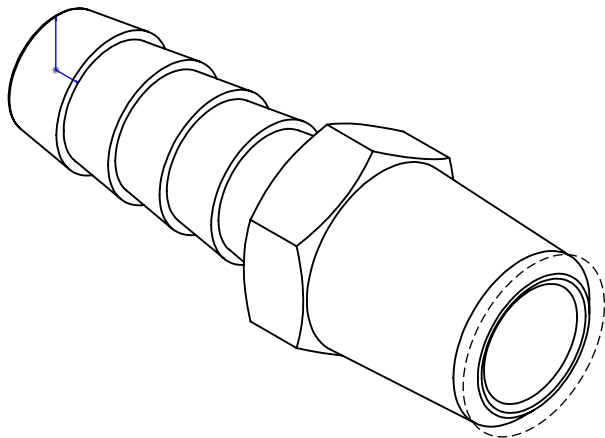



LINE DRAWING NOT FOR PRODUCTION PURPOSES



THRU HOLE DIA. .281

1/4-18NPTF  
THREAD



THIS DRAWING CONTAINS INFORMATION DEEMED PROPRIETARY TO DIXON BRASS AND IS SO TO BE USED ONLY FOR THE PURPOSE FOR WHICH IT IS SUBMITTED, AND FURTHER, SHALL NOT BE COPIED IN WHOLE OR IN PART WITHOUT EXPRESS WRITTEN PERMISSION FIRST OBTAINED FROM DIXON BRASS.					
UNLESS OTHERWISE SPECIFIED:		 The Right Connection™	<b>Dixon Brass</b> Westmont, Illinois USA	DRAWN P. MONAGHAN	DATE 10/23/13
DIMENSIONS ARE IN INCHES  TOLERANCES: ANGLES: ±0°30' .X (±.015) .XX (±.010) .XXX (±.005)  DIMENSIONS PER ANSI Y14.5				APPROVED	DATE
		TITLE: 3/8 MALE HOSE BARB X 1/4 - 18 NPTF		ECO NO.	DRAWING NOT REPRODUCED TO SCALE
		SIZE <b>A</b>	DWG. NO. 1020604C	REV F	